



TEMPORARY SERVICE

Temporary service is for use during the construction of a single-family residential house, commercial building, job trailer or multi-family structure. It is not available for providing service to a manufactured home, outbuilding, well, RV pad or any other item/structure not related to the construct of the aforementioned structures. Limited to 12 months of use.

Customer Responsibilities

- Provide and install temporary construction meter base.
- Provide and install the electric service conductor (underground).
- Furnish trenching and backfill of the electric service conductor.
- Electrical Inspection application and inspection through Washington State Department of Labor and Industries.

Applicable Standard Drawings

Please review the following standard drawings attached before starting construction. Drawings contain important information required for your project.

- Underground Temporary Service OR
- Overhead Temporary Service
- Single Phase Meter Base Requirements

Inspections

Electrical installations must be applied for and inspected by the Washington State Department of Labor and Industries Electrical Inspector AND a Douglas County PUD field representative prior to energizing the service. The customer (or customer's electrician) is responsible for meeting all of the requirements for temporary and permanent service equipment in compliance with the NEC (National Electric Code), WAC (Washington Administrative Code) and any other federal, state and local codes and ordinances that apply to the project. The Washington State Department of Labor and Industries Electrical Inspections Department can be reached at 509-886-6500, the 24 hour inspection line is 509-886-6520.

Fees

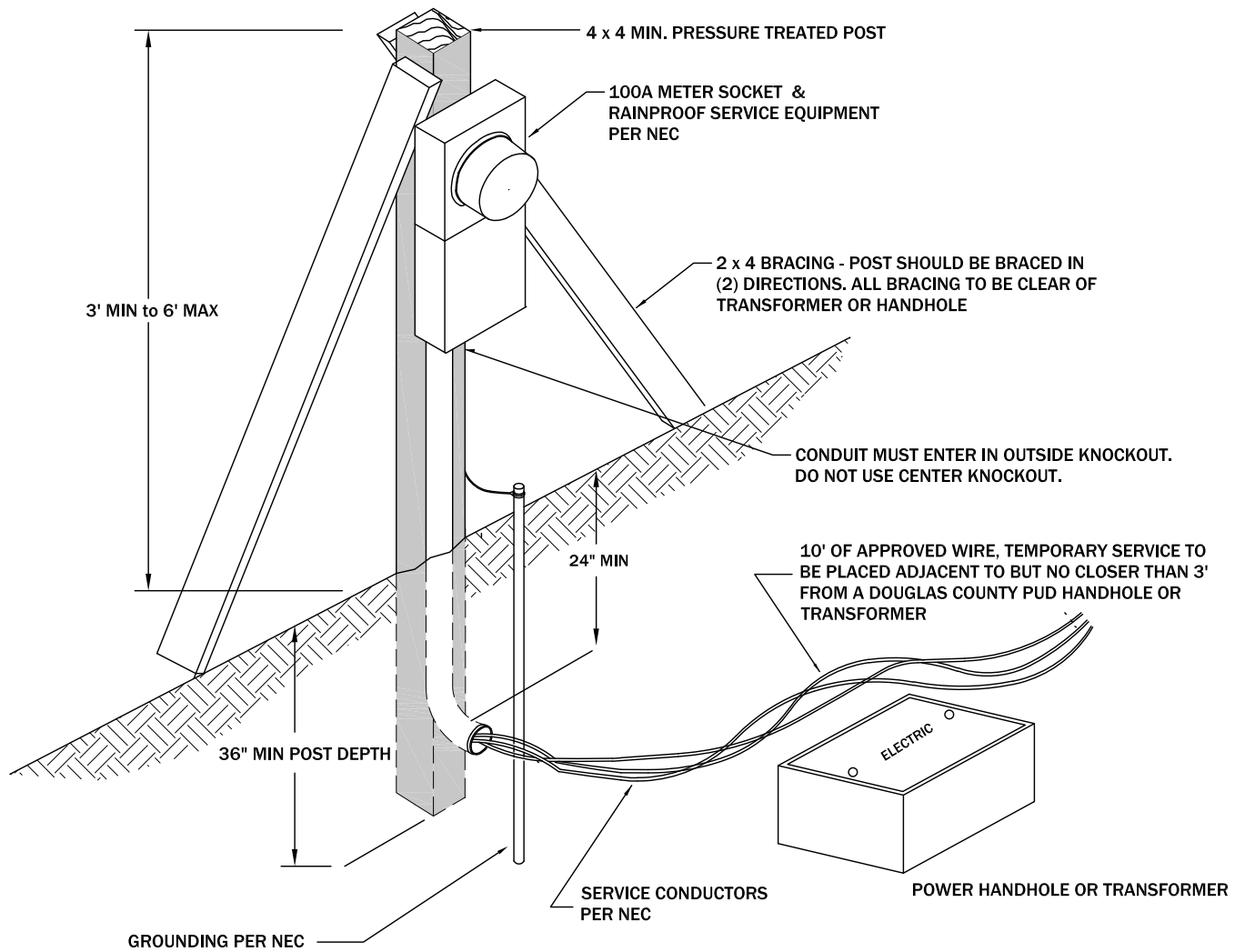
Fees for temporary service are described in the [Customer Service Policies](#).

Underground Temporary Service

The temporary service must be within 10 ft., (but no closer than 3') of a Douglas County PUD secondary handhole or transformer. The customer will provide trench, backfill and installation of underground service conductors of sufficient length to reach the District's secondary equipment **PLUS** 6' additional wire to make necessary connections.

Overhead Temporary Service

Overhead temporary service is available in areas where the District's existing electrical system is overhead construction. The customer's temporary service pole may be placed within 30 feet of the District's overhead facilities, provided adequate clearances can be maintained.



GENERAL NOTES

- All equipment furnished and installed by customer or customers' electrician.
- Temporary meter base shall be located adjacent to but no closer than 3' from a Douglas County PUD handhole or transformer.
- Consult an electrician or Washington State Department of Labor & Industries Electrical Inspector for current NEC guidelines for service entrance, meter base and grounding codes.

CONNECTS TO:

-OR-

..\\..\\Dropbox\\Celia\\DOUGLAS PUD\\2015-04-26 09.08.05.jpg

..\\..\\Dropbox\\Celia\\DOUGLAS PUD\\2015-04-26 09.09.42.jpg

HANDHOLE

TRANSFORMER



DOUGLAS
COUNTY
PUD

RESIDENTIAL CONSTRUCTION STANDARDS

UNDERGROUND TEMPORARY SERVICE

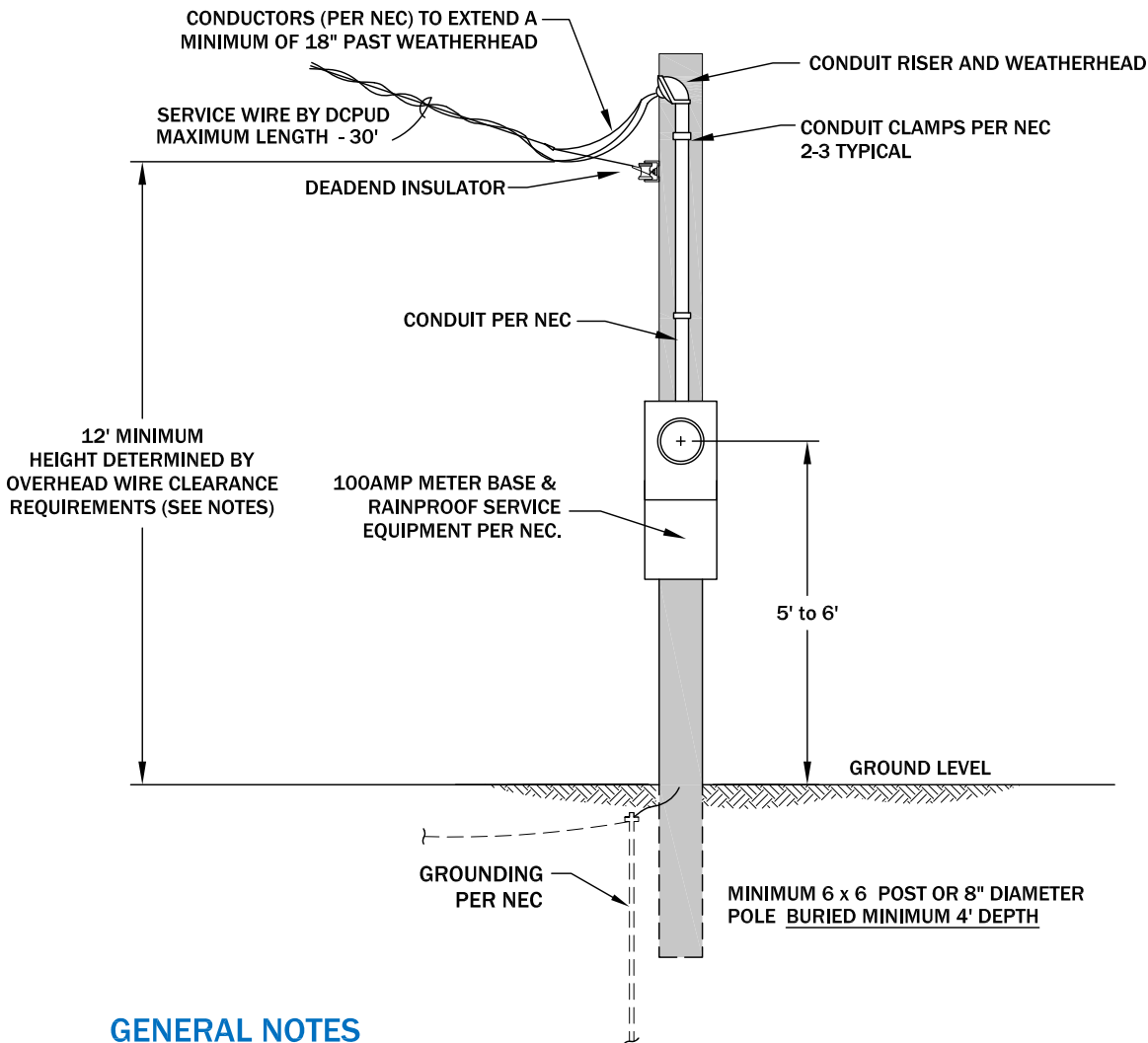
APPROVED:

REV DATE

10/23/18

PAGE 1 OF 1

RCS-011



GENERAL NOTES

- All equipment furnished and installed by customer or customer's electrician unless noted otherwise.
- Install temporary service pole within 30' of the Douglas County PUD transformer pole.
- The meter base must be inspected by the Washington State Department of Labor & Industries Electrical Inspector and approved before service conductors can be installed. Permit and inspection sticker must be displayed.
- Service mast must be tall enough to provide required clearances from the ground to service conductors everywhere in the span (refer to spec RCS-007, Overhead Service Wire Misc Requirements)
- Consult an electrician or Washington State Department of Labor & Industries Electrical Inspector for current NEC guidelines for service entrance, meter base and grounding codes.



CONNECTS TO:
OVERHEAD TRANSFORMER



DOUGLAS
COUNTY
PUD

RESIDENTIAL CONSTRUCTION STANDARDS

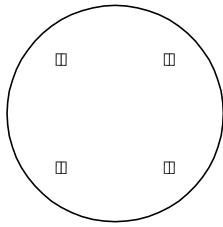
OVERHEAD TEMPORARY SERVICE

APPROVED:
REV DATE 05/02/18

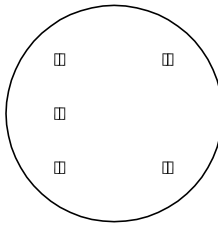
PAGE 1 OF 1
RCS-012

SOCKET CLIP ARRANGEMENTS

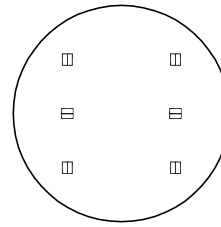
		SELF CONTAINED				WITH CURRENT TRANSFORMER/S		
		VOLTAGE	NO. WIRES	MAX. AMPS	NO. CLIPS	SCKT.	NO. CT'S.	NO. CLIPS
SINGLE PHASE	120	2	100	4	A	2	6	C
	120/240	3	200	4	A			
	120/240	3	400 (320 max)	4	A			
	240/480	3	200	4	A			
	120/208 277/480	3	200	5	B			



A



B



C

GENERAL NOTES

The meter base/socket you purchase and install shall meet the following general requirements:

- Be Underwriters Laboratories (UL) approved.
- Meet the standards of EUSERC.
- Be rated for exterior use and be rain-tight according to NEMA-3R.
- Have all unused openings tightly sealed from the inside of the socket.
- Be plumb and securely fastened to the supporting structure.
- Have a cover that is securely attached to the meter base/socket case.
- Meter base shall NOT be enclosed or recessed.

NOTE: Meter base/socket shall not be used as a junction box.

Meter bases/sockets for 200A underground services shall:

- Be rated for 120/240 V and 200 A.
- Contain four meter jaws and one connection point for the neutral conductor.
- Be at least 4-1/4 inches deep, 11 inches wide, and 14 inches high.
- Accept 2-1/2-inch PVC conduit.
- Have lugs (electrical connectors) that are marked to accept 4/0 aluminum conductors.

Meter Bases/sockets for 400A underground services shall:

- Be rated for 120/240 V and 320 A continuous current.
- Contain four meter jaws and one connection point for the neutral conductor.
- Contain a Class 320 manual block bypass.
- Have lugs that will accept 350 MCM aluminum wire.

Single phase services over 400A require CT metering and additional different equipment, see spec RCS-015, Single Phase CT Metering, and spec CI3-004, CT Metering Arrangement.



**DOUGLAS
COUNTY
PUD**

RESIDENTIAL CONSTRUCTION STANDARDS

SINGLE PHASE METER BASE REQUIREMENTS

APPROVED:

REV DATE 07/28/15

PAGE 1 OF 1

RCS-014