

CONDUIT & INSTALLATION

- All material supplied by Customer unless otherwise noted.
- All power conduit shall be 3" schedule 40 gray electrical PVC.
- Sweeps shall be 36" minimum radius and kept to a minimum. Back to back sweeps are not allowed.
- Backbone communication conduit shall be 2" gray schedule 40 PVC. Install 2" gray schedule 40 PVC from Douglas County PUD transformer, handhole or pole location to home/business.
- Tape or cap ends of power conduit to prevent material from entering.
- Conduit fittings and joints shall be installed clean, square and thoroughly glued.
- Cap ends of communication conduits (no glue, please).

TRENCHING

- Customers are to provide trenching, backfilling and compaction in accordance with Douglas County PUD standards.
- Trench shall be as straight as possible.
- Backfill with a minimum 3 inch layer of clean backfill, rocks no larger than 1 inch and no sharp objects placed over conduits. (clean native backfill meeting the aforementioned standards is acceptable).
- Trench shall be free of trash and frozen or organic material and be thoroughly compacted throughout.
- Trenching in a public right-of-way or crossing under a public roadway requires a roadway use permit. This must be applied for and issued to the licensed and bonded excavation contractor who will perform all work in the public right-of-way.

SPECIAL NOTES

CALL BEFORE YOU DIG! 811

ALL CONDUIT MUST BE INSPECTED BEFORE COVERING - CALL DOUGLAS COUNTY PUD AT 881-2366 TO SCHEDULE INSPECTION. CALL 686-4501 FOR AN INSPECTION IN THE BRIDGEPORT AREA INCLUDING ALL AREAS NORTH AND EAST OF WITHROW.

DO NOT INSTALL CONDUITS INTO EXISTING TRANSFORMERS, HANDHOLES, VAULTS OR ANY ENERGIZED EQUIPMENT



**DOUGLAS
COUNTY
PUD**

RESIDENTIAL CONSTRUCTION STANDARDS

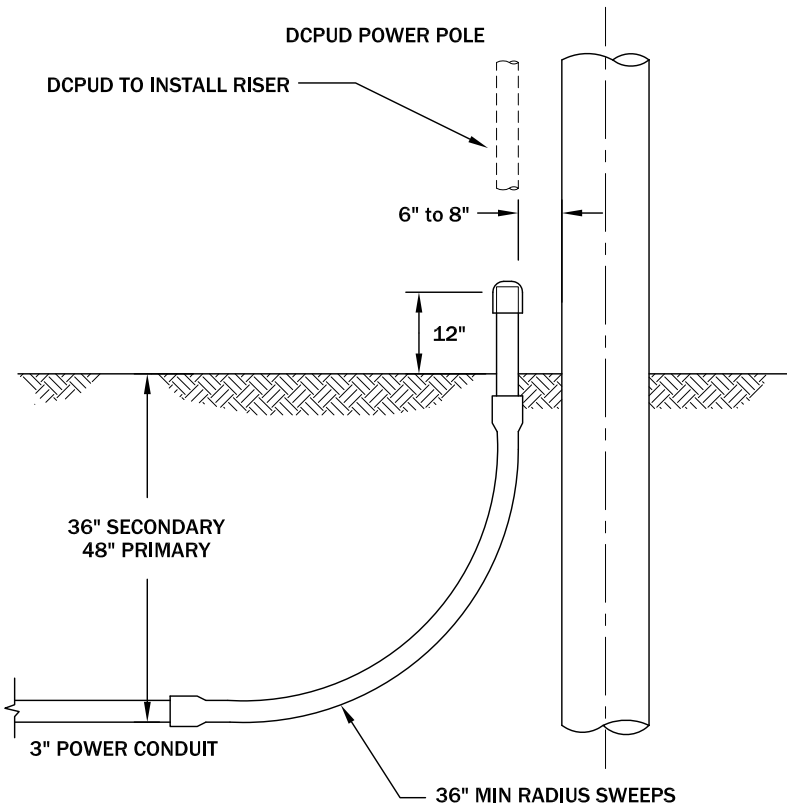
TRENCHING AND CONDUIT REQUIREMENTS

APPROVED:

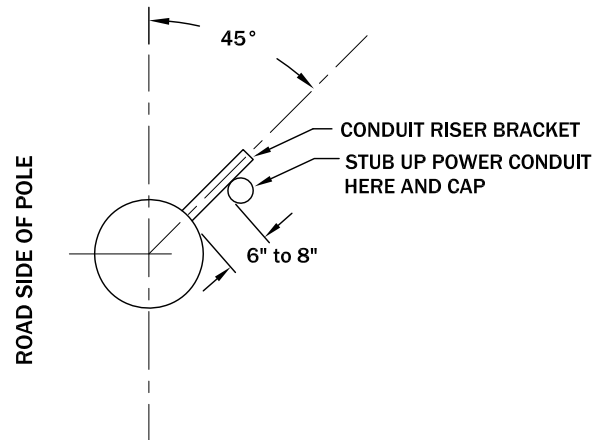
REV DATE 01/10/18

PAGE 1 OF 2

RCS-001



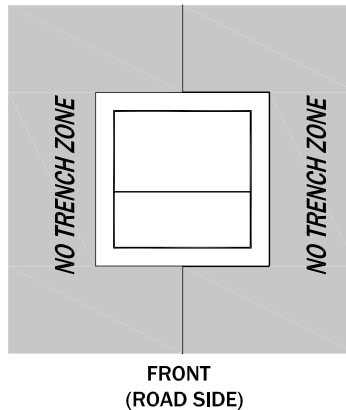
If no bracket exists at pole, stub conduit up to within 8" (but no closer than 6") of pole at a preferred quadrant location.



CONDUIT STUB UP AT POLE

Primary conduit will enter at left side of transformer

Secondary/service conduits will enter at right side of transformer



HAND DIG WHEN WITHIN 3 FEET OF AN ENERGIZED TRANSFORMER. TAKE CONDUIT TO THE BASE OF THE TRANSFORMER - DOUGLAS COUNTY PUD PERSONNEL WILL SWEEP INTO TRANSFORMER AT TIME OF INSPECTION.

CONDUIT STUB AT ENERGIZED TRANSFORMER



DOUGLAS COUNTY PUD

RESIDENTIAL CONSTRUCTION STANDARDS

TRENCHING AND CONDUIT REQUIREMENTS

APPROVED:

REV DATE 02/17/17

PAGE 2 OF 2

RCS-001